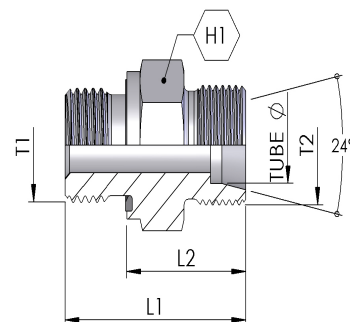


STRAIGHT ADAPTORS

BX-MS

BSP STUD X MET HEAVY MALE
 BSP STUD CAPTIVE SEAL X METRIC 24° CONE
 HEAVY MALE STRAIGHT

- ISO 8434-1



Part Number	T1 (BSP)	T2 (MET)	TUBE OD	H1	L1	L2	PN (bar)
BX-MS-0414	1/4-19	M14x1.5	6	19	32.0	20.0	800
BX-MS-0416	1/4-19	M16x1.5	8	19	34.0	22.0	800
BX-MS-0418	1/4-19	M18x1.5	10	19	34.0	22.0	800
BX-MS-0420	1/4-19	M20x1.5	12	22	36.0	24.0	630
BX-MS-0618	3/8-19	M18x1.5	10	22	34.5	22.5	800
BX-MS-0620	3/8-19	M20x1.5	12	22	36.5	24.5	630
BX-MS-0624	3/8-19	M24x1.5	16	27	38.5	26.5	630
BX-MS-0818	1/2-14	M18x1.5	10	27	39.0	25.0	630
BX-MS-0820	1/2-14	M20x1.5	12	27	39.0	25.0	630
BX-MS-0822	1/2-14	M22x1.5	14	27	41.0	27.0	630
BX-MS-0824	1/2-14	M24x1.5	16	27	41.0	27.0	630
BX-MS-0830	1/2-14	M30x2	20	32	45.0	31.0	420
BX-MS-1224	3/4-14	M24x1.5	16	32	45.0	29.0	420
BX-MS-1230	3/4-14	M30x2	20	32	47.0	31.0	420
BX-MS-1236	3/4-14	M36x2	25	41	51.0	35.0	420
BX-MS-1636	1-11	M36x2	25	41	53.0	35.0	420
BX-MS-1642	1-11	M42x2	30	46	55.0	37.0	420
BX-MS-2042	1.1/4-11	M42x2	30	50	57.0	37.0	420
BX-MS-2052	1.1/4-11	M52x2	38	55	62.0	42.0	420
BX-MS-2452	1.1/2-11	M52x2	38	55	64.0	42.0	420