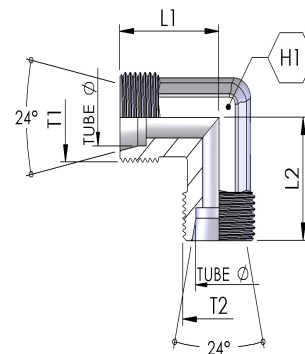


## 90 DEGREE ADAPTORS

### MS-MS-90

MET HEAVY MALE X MET HEAVY MALE  
METRIC 24° CONE HEAVY MALE X METRIC 24°  
CONE HEAVY MALE 90° ELBOW

- ISO 8434-1, DIN 2353 Heavy (S) Series.



| Part Number   | Tube OD | T1 (MET) | T2 (MET) | H1 | L1   | L2   | PN (bar) |
|---------------|---------|----------|----------|----|------|------|----------|
| MS-MS-90-1414 | 6       | M14x1.5  | M14x1.5  | 12 | 23.0 | 23.0 | 800      |
| MS-MS-90-1616 | 8       | M16x1.5  | M16x1.5  | 14 | 24.0 | 24.0 | 800      |
| MS-MS-90-1818 | 10      | M18x1.5  | M18x1.5  | 17 | 25.0 | 25.0 | 800      |
| MS-MS-90-2020 | 12      | M20x1.5  | M20x1.5  | 17 | 29.0 | 29.0 | 630      |
| MS-MS-90-2222 | 14      | M22x1.5  | M22x1.5  | 19 | 30.0 | 30.0 | 630      |
| MS-MS-90-2424 | 16      | M24x1.5  | M24x1.5  | 24 | 33.0 | 33.0 | 630      |
| MS-MS-90-3030 | 20      | M30x2    | M30x2    | 27 | 37.0 | 37.0 | 420      |
| MS-MS-90-3636 | 25      | M36x2    | M36x2    | 36 | 42.0 | 42.0 | 420      |
| MS-MS-90-4242 | 30      | M42x2    | M42x2    | 41 | 49.0 | 49.0 | 420      |
| MS-MS-90-5252 | 38      | M52x2    | M52x2    | 50 | 57.0 | 57.0 | 420      |