

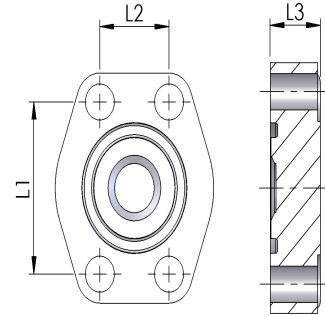
PLUGS/CAPS/FLANGE PLATES

VBO

SAE C61

SAE CODE 61 FLANGE PORT BLANKING PLATE

- ISO 6162-1, SAE J518-1.
- Metric bolts class 10.9.
- Inch bolts grade 8.



Part Number	Nominal SAE Flange Size	L1	L2	L3	O Ring	Metric bolts	Inch bolts UNC	PN (bar)
VBO-08	1/2	38.1	17.5	16	Y-08	M8x30	5/16x1.1/4	350
VBO-12	3/4	47.6	22.2	16	Y-12	M10x35	3/8x1.1/2	350
VBO-16	1	52.4	26.2	19	Y-16	M10x35	3/8x1.1/2	320
VBO-20	1.1/4	58.7	30.2	18	Y-20	M10x40	7/16x1.3/4	280
VBO-24	1.1/2	69.9	35.7	20	Y-24	M12x45	1/2x1.3/4	210
VBO-32	2	77.8	42.9	20	Y-32	M12x45	1/2x1.3/4	210