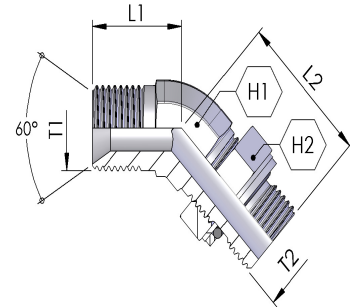


45 DEGREE ADAPTORS

B-BP-45

BSP MALE X BSP ADJUSTABLE
 BSP 60° CONE MALE X BSP ADJUSTABLE STUD 45°
 ELBOW

- ISO 8434-6



Part Number	T1 (BSP)	T2 (BSP)	H1	H2	L1	L2	PN (bar)
B-BP-45-0404	1/4-19	1/4-19	14	19	21.0	29.0	200
B-BP-45-0606	3/8-19	3/8-19	19	22	23.5	33.0	200
B-BP-45-0808	1/2-14	1/2-14	22	27	27.0	39.0	200
B-BP-45-1212	3/4-14	3/4-14	27	36	32.0	44.0	200
B-BP-45-1616	1-11	1-11	33	41	37.0	47.0	200
B-BP-45-2020	1.1/4-11	1.1/4-11	41	50	39.0	48.0	160