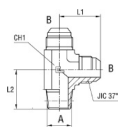


TEE ADAPTORS

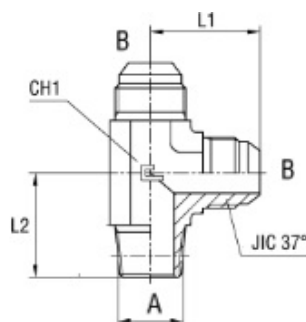
BSPT MALE X JIC MALE X
JIC MALE
A-G-G
Page 11-1

TEE ADAPTORS
A-G-G

BSPT MALE X JIC MALE X JIC MALE

BSPT MALE X JIC 37° FLARE MALE X JIC 37° FLARE MALE

RUN TEE



Part Number	A	B	L1	L2	CH1
A-G-G-020707†	1/8-28	7/16-20	23	20	14
A-G-G-040707†	1/4-19	7/16-20	24	28	14
A-G-G-040909†	1/4-19	9/16-18	28	28	14
A-G-G-060909†	3/8-19	9/16-18	30	31	19
A-G-G-061212†	3/8-19	3/4-16	32	31	19
A-G-G-081212†	1/2-14	3/4-16	34	38	22
A-G-G-081414†	1/2-14	7/8-14	37	38	22
A-G-G-121717†	3/4-14	1.1/16-12	42	40	27

† - Please contact Hydraulink for further details and availability.

Pricing current as at 7 Dec 2019 and excludes GST. Hydraulink reserve the right to change pricing and technical specifications without notice.