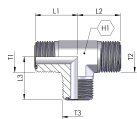


TEE ADAPTORS

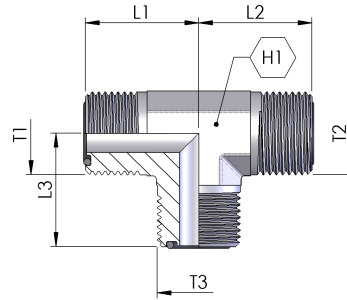
ORFS MALE X ORFS
MALE X ORFS MALE
R-R-R
Page 11-1

TEE ADAPTORS

R-R-R

ORFS MALE X ORFS MALE X ORFS MALE
 ORFS MALE X ORFS MALE X ORFS MALE TEE

- ISO 8434-3



Part Number	T1/T2/T3	L1/L2/L3 (mm)	H1 (mm)
R-R-R-090909	9/16-18	22	14
R-R-R-111111	11/16-16	25	19
R-R-R-131313	13/16-16	28	19
R-R-R-161616	1-14	33	27
R-R-R-191919†	1.3/16-12	38	30
R-R-R-232323†	1.7/16-12	42	36
R-R-R-272727†	1.11/16-12	45	41

† - Please contact Hydraulink for further details and availability.

Pricing current as at 17 Jul 2019 and excludes GST. Hydraulink reserve the right to change pricing and technical specifications without notice.